

HASHIMA

ハシマ高速チースクワンター

HIGH-SPEED THREAD WINDER

HW-20

取扱い説明書

INSTRUCTION MANUAL

パーツリスト

PARTS LIST

この度はハシマ製品をご購入頂き、誠に有難うございます。

本機能の性能を生かし、安全に使って頂くために、御使用前にこの取扱
い説明書を必ずお読み下さい。

お読みになった後は、必ず保管して頂き、必要に応じてお読み下さい。

Thank you very much for having bought our products.

Don't fail to fulfil the matters that demand special attention
to be mentioned below so that you could put this machine to use
for a long time with safety.

Don't fail to read the user's manual first of all when you've come
to hand the machine.



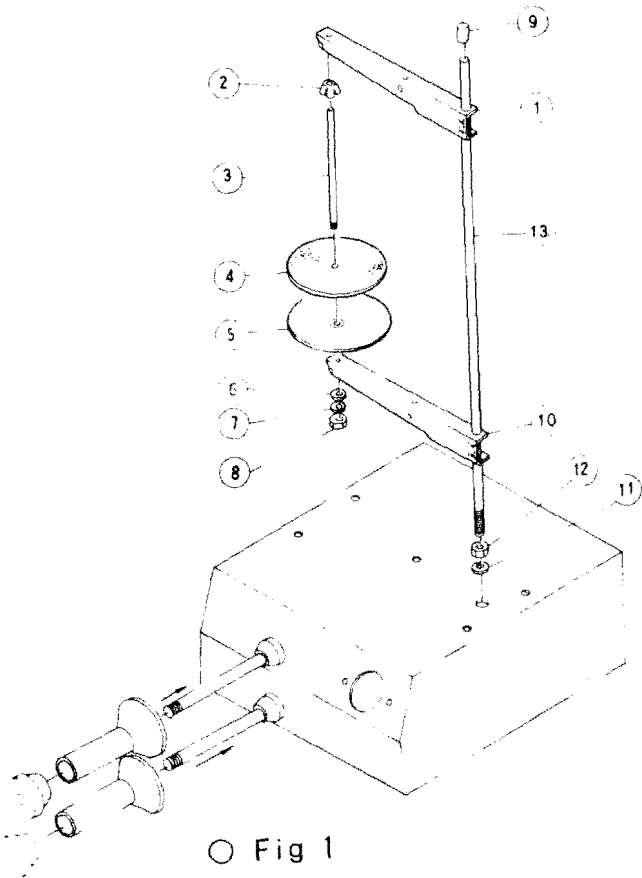
製造元

株式会社 **ハシマ**

Manufactured by

HASHIMA CO., LTD.

INSTRUCTION MANUAL



○ Fig 1

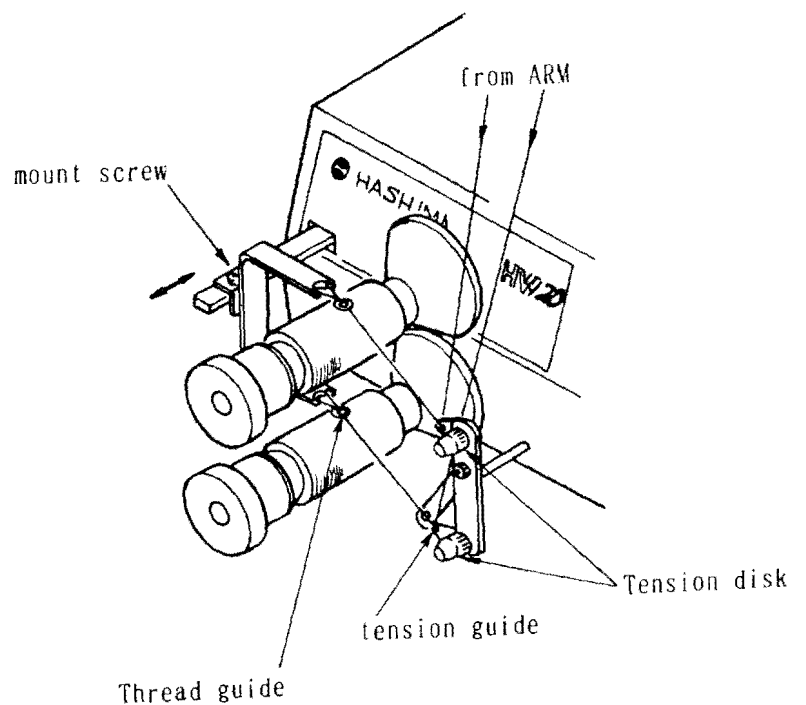
Assembly instructions ○ Fig 1

- (1) Connect the stand shaft(13)to the main unit, using the nut(12)and the flat washer(11).
- (2) Add the arms(10)and the insulated arms(1).
- (3) Fix the fixing pin(3) onto the arm(10) using the flat washer(6) spring washer(7) and the nut(8).
- (4) To the fixing pin(3) apply the receiver(5), sponge(4) and the bobbin holder(2).
- (5) Apply the rubber cap(9) to the top of the stand shaft(13).

Operation Method:

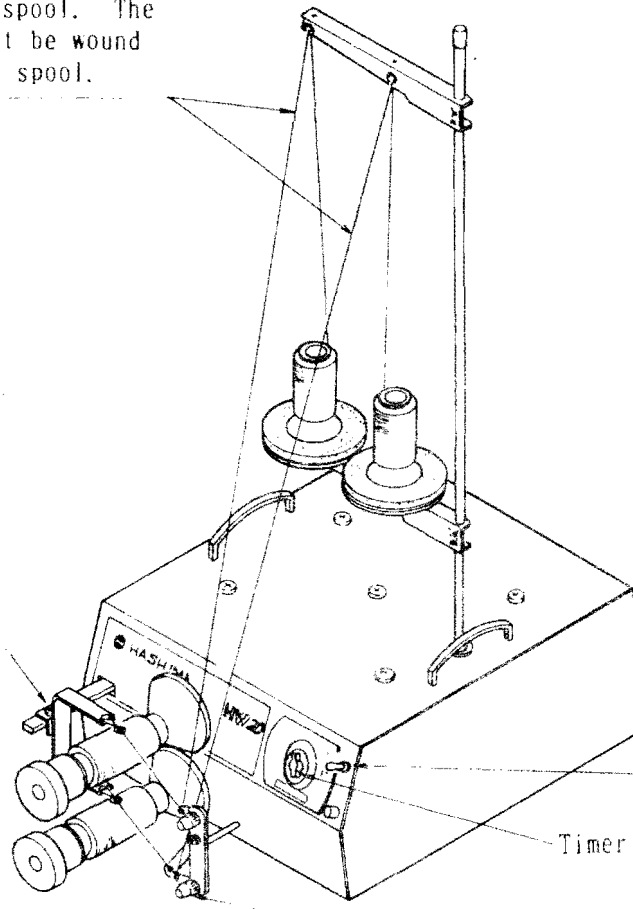
《Attention》 Pull the power source plug out of the consent except when using.

- 1) Place the spool on the turning shaft.
When fixing a brimmed spool to the machine, ensure the brimmed end is closest to the body of the machine.
- 2) Thread the thread throught the insulated hole on the arm(1).
- 3) Next thread the thread through the hole in the tension guide, wind the thread around the tension disk and back through the hole in the tension guide.
- 4) Next the thread is passed throught the hole in the thread guide from the top, down and winds around the spool.
- 5) Turn the timer to the right and the spool will turn, winding the thread on.



The thread coming from the spool closest to the stand shaft must be wound onto the lower most spool. The outer spool must be wound onto upper most spool.

When changing the desired position of the thread being wound onto the spool, loosen the screw on the mount that holds the thread guide and readjust it to the desired position.



Inching switch
 Power switch
 I ON
 O OFF

Tension Disk.
 Adjust the screw on the tension disk according to the desired tension.

Set at the position of required volume

	500m	1000m	1500m	2000m
= 30	About 3 min. 30	About 7 min. 30	About 10min. 45	About 13min. 30
= 50	About 4 min.	About 7 min. 15	About 11min. 25	About 14min. 20
= 80	About 4 min. 15	About 9 min.	About 12min. 30	About 15min. 30

MODEL	HW-20
POWER SUPPLY	Single phase only
MOTOR	80W
TIMER	15min.
DIMENSIONS mm	380(W) × 130(D) × 770(H)
TRAVERSE	97mm(STANDARD TYPE) 2.51inch(AMERICAN TYPE)
NET WEIGHT	About 20 kg

(Referential time of 50Hz Spools. Bobbins 30φ)

Timer.
 When setting times less than 5 minutes, first turn the timer past 5 minutes, and then turn it back to the desired time.